

 WPAD mini
ELECTRONIC LOCK
KEYPAD ACCESS SYSTEM

SCANSIONA PER ISTRUZIONI



KEYPAD

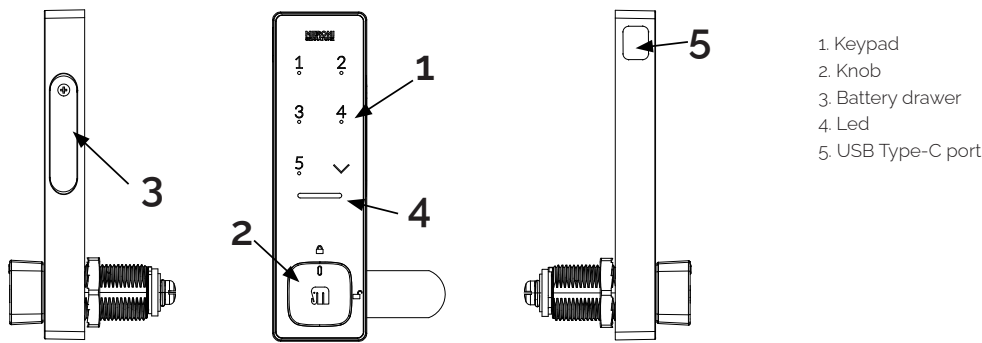


WPAD mini

WPAD mini is a compact, battery-powered wireless electronic lock, designed for easy installation and intuitive use. It installs quickly and unlocks via a numeric keypad code. The lock can be programmed in two operating modes to suit different needs: public mode (multi-user) and private mode (single user). It also features an emergency opening system via master code or USB.

Suitable for installation on wooden, HPL, and folded metal furniture and lockers, WPAD mini is the ideal solution for shared spaces such as offices.

It supports both multi-user (public) and personal (private) access management. In case of emergency, the lock can also be powered and unlocked using a power bank.



TECHNICAL FEATURES

Lock Type	Electronic furniture lock
Cylinder Length	30 mm available 20 mm (coming soon)
Applications	Lockers, cabinets, drawers, etc.
Suitable for	Wood and metal
Authentication	Code
Locking System	Cam
Operation Modes	Public (factory default) Private
Power Supply	1×CR2450 battery
Code Length	4+8 digits
Battery Life (cycles)	8.000

DOOR DRILLING

Wooden door thickness: 18–20 mm

Metal door thickness: 0.6–1 mm

