

 WPAD rfid

ELECTRONIC LOCK

MULTI-TECHNOLOGY OPENING SYSTEM

SCAN TO VISIT THE WEBSITE



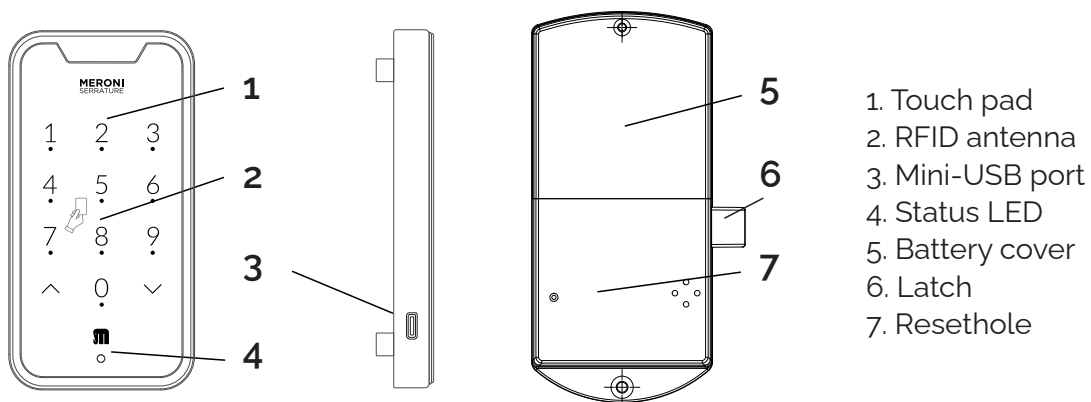
KEYPAD · RFID CARD



WPAD rfid is the wireless, battery powered electronic lock for lockers with frontal keypad. It can be used like a combination lock (4- up to 15-digits code), or as a card reader by approaching a RFID card.

WPAD rfid features an anti-theft technology and a Fake PIN password function; the robust bolt closure grants a quick auto-locking once the door is shut.

It is suitable for wooden, HPL and metal doors.

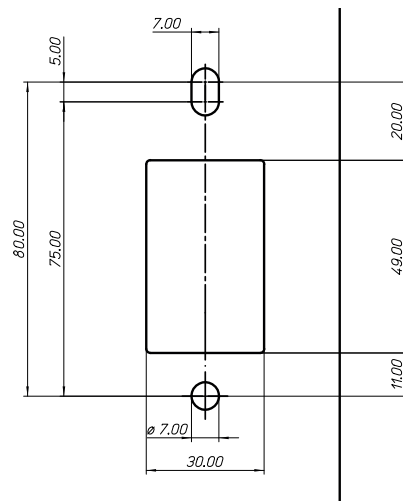


## TECHNICAL FEATURES:

Lock type	Electronic furniture lock
Applications	Locker, wardrobe, etc.
Suitable for	Wood
Authentication mode	Mifare Password
Locking system	Latch bolt
Mode of use	Public (factory mode) Private
Power supply	4×AA batteries
Static current	<300µA
Dynamic current	<120mA
Batteries life time	10.000 times
Working temperature	-25~+55°C
Working humidity	10%-85%RH
Storage temperature	-40~+55°C

## DOOR HOLING:

Left hand door



Right hand door

